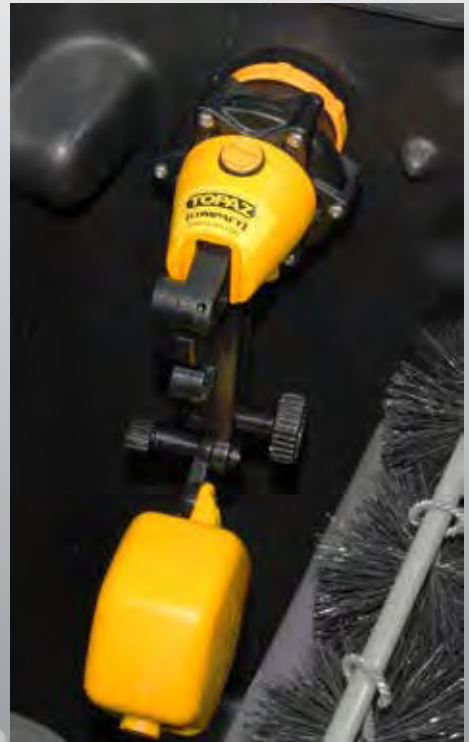




**[COMPACT]**

**FLOAT VALVE**



# TOPAZ COMPACT VALVE

## PRODUCT INFO



### Description

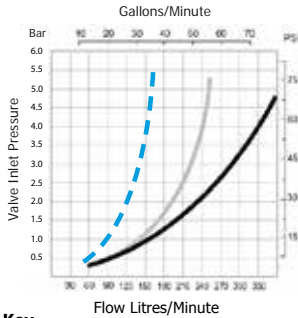
**Topaz compact float valves** are float operated valves for use in the automatic filling of water troughs, tanks & cisterns where space is limited. The valve is configured for above water mounting only. The compact weighted float operates a small pilot valve which in turn operates the main diaphragm valve. Topaz Compact float valves are positive on/off and are ideal when working with pump supplied water in a small compartment.

### Applications

Maintaining Water Levels in:

- Animal Drinking Troughs
- Water Storage Tanks
- Water Cisterns
- Air Conditioning Systems
- High Pressure Cleaning Systems
- Irrigation Applications

### Flow Graph



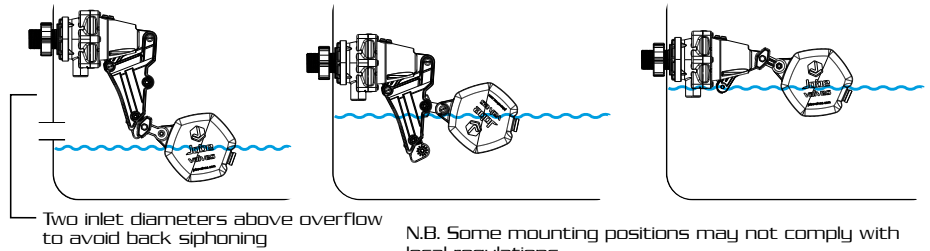
#### Key

- 15mm (1/2")
- 20mm (3/4")
- 25mm & 32mm (1" & 1 1/4")

### Features

- Compact Weighted Float
- High flow
- Compact robust construction
- Made from corrosion resistant materials
- Shuts down slowly to minimise water hammer
- 20 - 60mm (3/4" - 2 1/2") water level differential (increases as water inlet pressure increases)
- Pressure rating 0.3 - 10 Bar (5 - 150 PSI)
- Float position easily adjustable with no tools
- Valve has switch to lock it in off position
- Has port to connect Frostpro anti freeze device
- Detach™ Valve Seal Access System for quick access to valve seal

### Mounting Positions



### Options

	BSP				NPT				Specifies this Thread size
	1/2"	3/4"	1"	1 1/4"	1/2"	3/4"	1"	1 1/4"	
Inlet Size	✓	✓	✓	✓	✓	✓	✓	✓	Detach
Detach Base Short Tail		✓	✓	✓		✓	✓	✓	
Detach Base Long Tail	✓	✓	✓	✓	✓	✓	✓	✓	
<b>Long Tail:</b> Supplied with backnut and seal washer.									
<b>Floats:</b> 55mm wide float supplied standard. N.B. (No other float is compatible with this valve)									
Compact Float 55mm									

### TOPAZ TROUGH VALVE SPECIFICATION

PRODUCT	CODE	INLET SIZE	CODE	OPTIONS	CODE
Topaz Compact Float Valve	TPVC	1/2" bsp/npt	15	Detach Base	D
		3/4" bsp/npt	20	Long Tail Thread	LT
		1" bsp	25		
		1" npt	1		
		1 1/4" bsp	32		
		1 1/4" npt	114		

NOTE: If no options are specified the standard ones will be supplied

Note: Product may differ slightly from these specs due to ongoing product development.

200 L / MIN

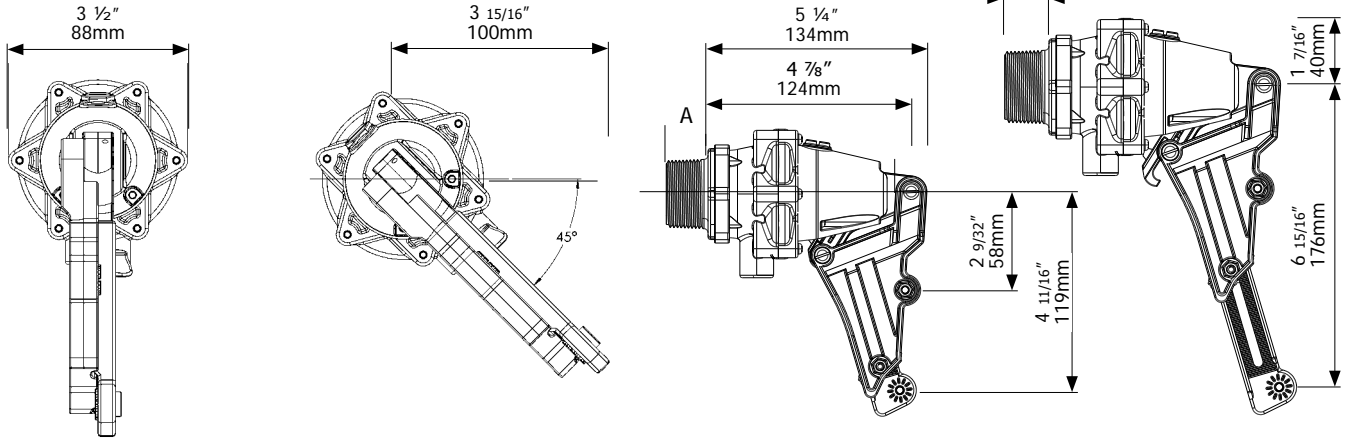
# TOPAZ COMPACT VALVE

## DIMENSIONS & MATERIALS

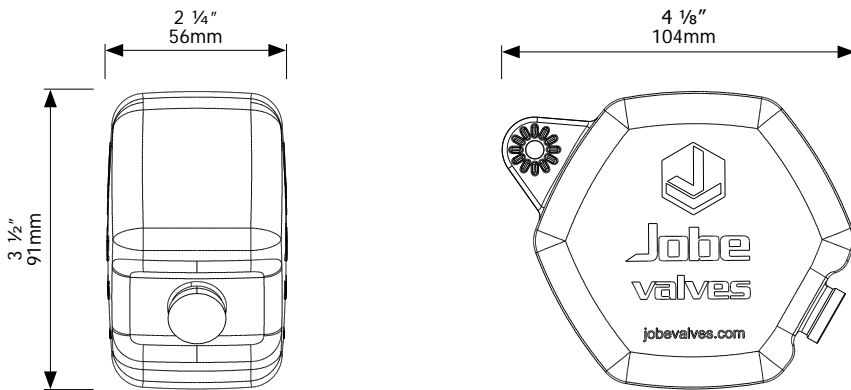


200 L / MIN

### Topaz Dimensions



### Float Dimensions



### Tail Dimensions

Dimension A	mm	inches
20mm (3/4") Short tail	22	7/8
25mm (1") bsp/npt short tail	22	7/8
32mm (1 1/4") bsp/npt short tail	25	1
15mm (1/2") long tail	100	4
20mm (3/4") long tail	38	1 1/2
25mm (1") bsp/npt long tail	54	2 1/8
32mm (1 1/4") bsp/npt long tail	60	2 3/8

Part	Material	Part	Material
<b>Valve Body &amp; Tail</b>	Glass Filled Nylon	<b>Springs, Bolts, Nuts, Pin, Screws</b>	304 Stainless Steel
<b>White &amp; Yellow Internal Parts</b>	Acetal	<b>O'Rings</b>	Nitrile
<b>Filter</b>	PP/Nylon	<b>Float</b>	HDPE
<b>Diaphragm</b>	EPDM	<b>Actuator / Arms &amp; Caps</b>	ABS
<b>Seal</b>	TPU		
<b>Float Cord</b>	Polyester		

Maximum Operating Temperature

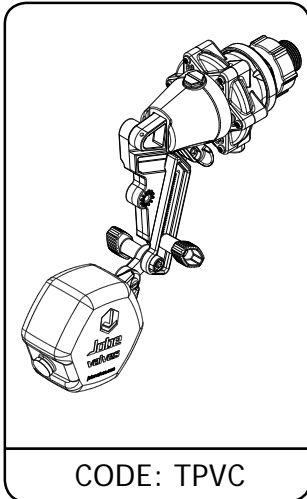
60°C, 140°F

# TOPAZ COMPACT FLOAT VALVE

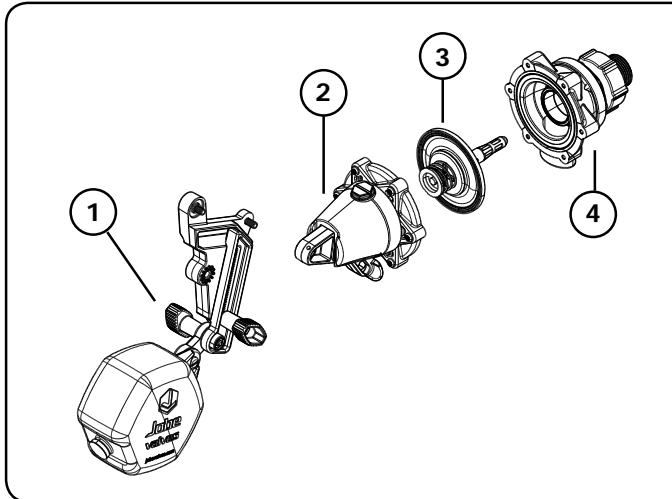
## PARTS IDENTIFICATION SHEET



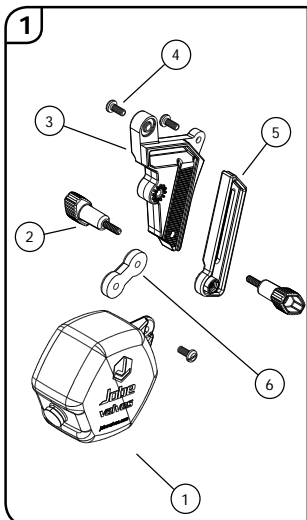
200 L / MIN



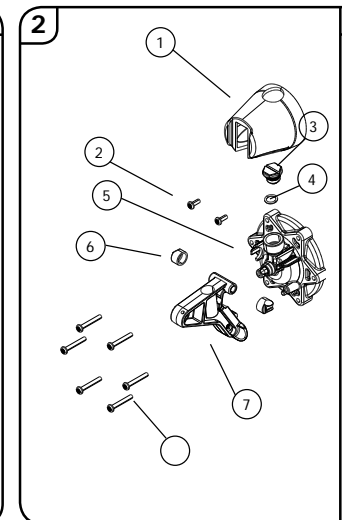
CODE: TPVC



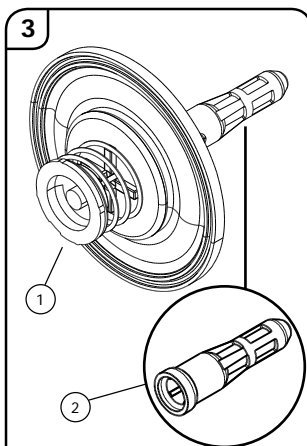
CODE	DESCRIPTION
1	Float Assembly
2	TPPC2 Cap & Actuator Assembly
3	TPP3 Diaphragm Assembly
4	Detach Base Assembly



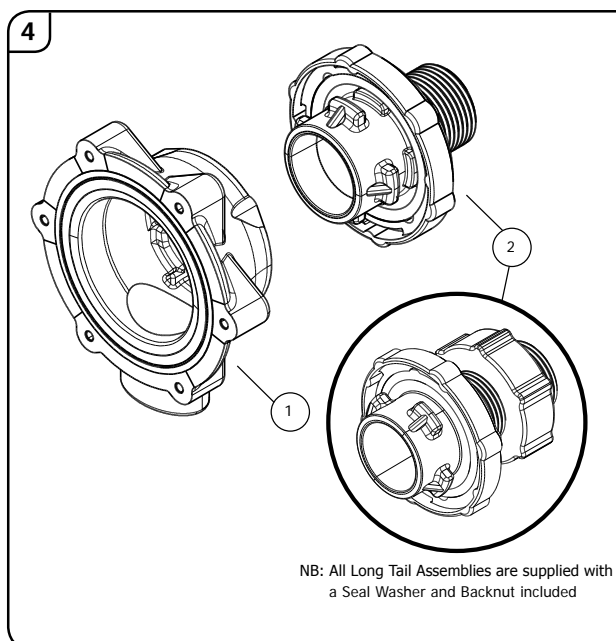
CODE	DESCRIPTION
1	TPPC1055 55mm Compact Float
2	TPP1020 Wing Bolt
3	TPP1030 Extension Arm
4	TPP1040 Bolt M5 x 12 Pan Slot
5	TPP1050 Extension Slide
6	TPPC1065 25mm Extension Arm



CODE	DESCRIPTION
1	TPPC2011 Actuator Cap
2	TPP2020 6g x 10 S/S Screw
3	TPP2030 Frost Pro Plug
4	TPP2040 Frost Pro O'ring
5	TPP2050 Valve Cap Assembly
6	TPP2080 Bearings (set of two)
7	TPP2090 Actuator Arm
8	TPP2100 6g x 25 S/S Screw



CODE	DESCRIPTION
1	TPP3 Diaphragm Assembly
2	TPP3010 Pilot Flow Filter (Fine)
	TPP3011 Pilot Flow Filter (Coarse)



NB: All Long Tail Assemblies are supplied with a Seal Washer and Backnut included

CODE	DESCRIPTION
1	DTP1 Detach Base
2	<b>BSP Tails</b>
	Short Tail Assembly (BSP)
DTP020	Detach Tail 20mm(3/4") Short
DTP025	Detach Tail 25mm(1") Short
DTP032	Detach Tail 32mm(1 1/4") Short
	Long Tail Assembly (BSP)
DTP015L	Detach Tail 15mm (1/2") Long
DTP020L	Detach Tail 20mm (3/4") Long
DTP025L	Detach Tail 25mm (1" bsp) Long
DTP032L	Detach Tail 32mm (1 1/4" bsp) Long
	<b>NPT Tails</b>
	Short Tail Assembly (NPT)
DTP0075	Detach Tail 3/4" npt
DTP0100	Detach Tail 1" npt
DTP0125	Detach Tail 1 1/4" npt
	Long Tail Assembly (NPT)
DTP0050L	Detach Tail 1/2" npt Long
DTP0075L	Detach Tail 3/4" npt Long
DTP0100L	Detach Tail 1" npt Long
DTP0125L	Detach Tail 1 1/4" npt Long